

# 柴油打桩锤 Diesel Pile Hammer





DELMAG Shanghai Heavy Machinery Co., Ltd. is a joint venture between the Chinese company "Shanghai Jia Nong Heavy Machinery Co., Ltd." and DELMAG Germany, located in Shanghai's Bao Shan district in the north of Shanghai. The joint venture was founded in 2008 after the partners had gotten in touch in 2005 and extended their relationship step by step.

The production facility was officially opened on November 16, 2009. The company employs around 60 people including a technical supervisor from DELMAG Germany, to produce diesel pile hammers in different sizes for the domestic and international markets and provides service to local customers.

The products are marked with the lettering "DELMAG" and the corresponding Chinese characters "德尔玛克" (both registered trademarks). Some of the key parts are imported from DELMAG Germany, but the majority of the components are sourced locally. Whereas only top quality domestic raw materials and foundry products are used to reach the well known, high quality standards of DELMAG, where combustion powered construction equipment is being produced since 1922.

位于上海宝山区的上海德尔玛克重型机械有限公司是由中国上海佳依重工机械有限公司和德国DELMAG公司在2005年初步接触后逐步加深合作并在2008年正式共同组建成功的中德合资公司。

合资公司于2009年11月16日正式开始投产,目前有员工60人,包括一位德国DELMAG派出长驻合资公司的技术总监。主要生产各种规格柴油打桩锤销往国内外市场并提供售后服务。

产品外铸有英文DELMAG 和相应中文 "德尔玛克" 注册商标, 主要零部件选择国内最好的原材料及铸件供货单位作为配套, 部分关键另部件直接从德国进口以达到1922年就生产出全球第一台柴油打桩锤的著名德国DELMAG 公司的高标准要求。





D30-32



D30-32



D100-13

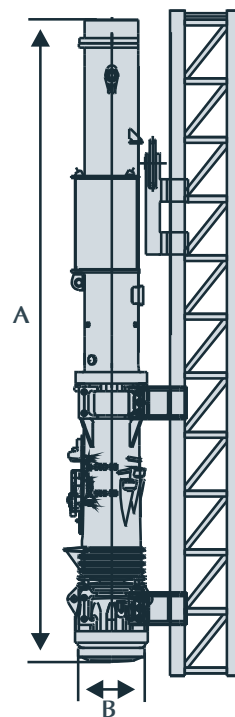
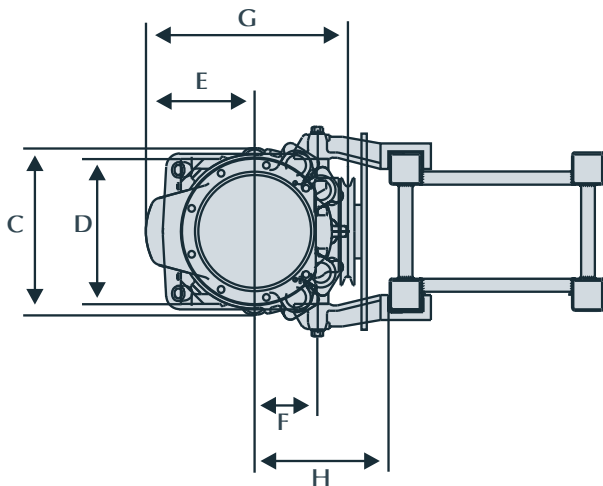


D150-42

## Diesel Pile Hammer D12-42 - D30-32

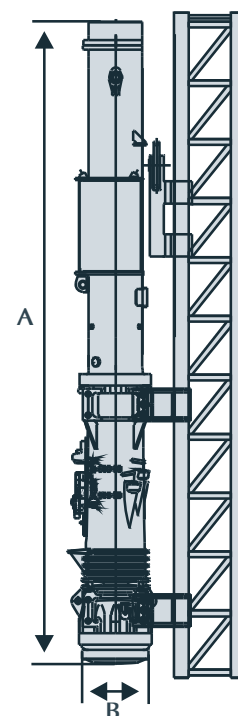
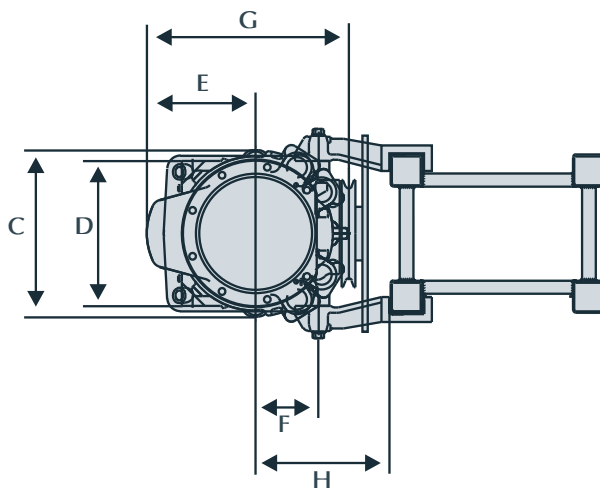
技术参数	Technical Data		D12-42	D19-42	D25-32	D30-32
上活塞重量	Impact weight (piston)	kg	1280	1820	2500	3000
每次打击能量	Energy per blow	kNm	46-20	66-29	90-40	103-48
打击次数	Number of blows	min <sup>-1</sup>	35-52	35-52	35-52	36-52
适宜打桩最大规格 (取决于土质和桩的情况)	Suitable for driving piles (depending on soil and pile)	t	0.8-5	1.1-6	1.6-7.5	2-9
<b>油耗</b>	<b>Consumption</b>					
柴油	Diesel oil	l/h	4.5	7.5	7.5	10
润滑油	Lubricant	l/h	0.5	0.5	1	1
<b>油箱容量</b>	<b>Tank capacity</b>					
柴油箱容积	Diesel oil tank	l	25	32	67	67
润滑油箱容积	Lube tank	l	6.5	9	19	19
起落架导向滑轮钢 绳最大直径	Max. rope diameter for deflector sheave of tripping device	mm	20	20	22	22
<b>重量</b>	<b>Weight</b>					
起落架重约	Tripping device	kg	114	114	186	186
柴油锤重约	Diesel pile hammer	kg	2735	3840	5670	6170
斜桩的打桩范围 标准	Max. inclined pile driving without extension		1:5	1:5	1:5	1:5
接长缸	with extension		1:1	1:1	1:1	1:1

外形尺寸	Dimensions		D12-42	D19-42	D25-32	D30-32
<b>A</b>		mm	4920	5160	5500	5500
<b>B</b>		mm	400	440	560	560
<b>C</b>		mm	440	480	670	670
<b>D</b>		mm	320	320	540	540
<b>E</b>		mm	335	345	405	405
<b>F</b>		mm	245	280	235	235
<b>G</b>		mm	610	700	780	780
<b>H</b>		mm	340	360	435	435



技术参数	Technical Data		D36-32	D46-32	D62-22	D70-32
上活塞重量	Impact weight (piston)	kg	3600	4600	6200	7000
每次打击能量	Energy per blow	kNm	123-56	166-71	224-107	247-121
打击次数	Number of blows	min <sup>-1</sup>	36-53	35-53	35-50	35-50
适宜打桩最大规格 (取决于土质和桩的情况)	Suitable for driving piles (depending on soil and pile)	t	2.5-12	3-16	4-30	5-40
<b>油耗</b>	<b>Consumption</b>					
柴油	Diesel oil	l/h	11.5	16	20	21
润滑油	Lubricant	l/h	1.5	1.5	2	2
<b>油箱容量</b>	<b>Tank capacity</b>					
柴油箱容积	Diesel oil tank	l	89	89	98	98
润滑油箱容积	Lube tank	l	17	17	31.5	31.5
起落架导向滑轮钢 绳最大直径 (*绕2圈)	Max. rope diameter for deflector sheave of tripping device (* reeved twice)	mm	38	38	38	38
<b>重量</b>	<b>Weight</b>					
起落架重约	Tripping device	kg	450	450	450	450
柴油锤重约	Diesel pile hammer	kg	8200	9300	12250	12300
斜桩的打桩范围 标准	Max. inclined pile driving without extension		1:5	1:5	1:2	1:2
接长缸	with extension		1:1	1:1	1:1	1:1

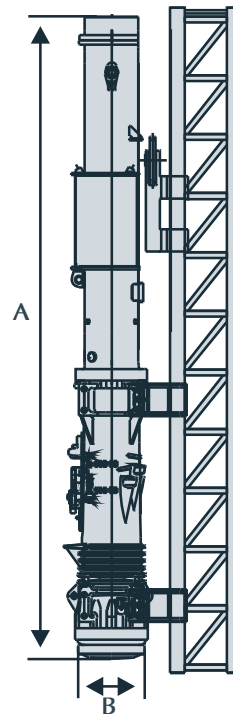
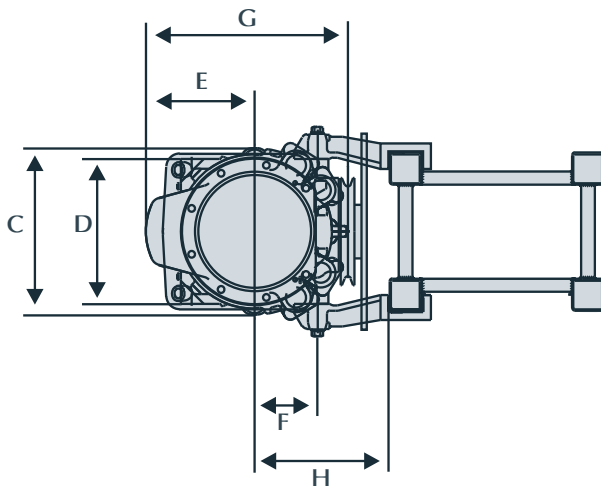
外形尺寸	Dimensions		D36-32	D46-32	D62-22	D70-32
<b>A</b>	mm		5470	5470	5910	5950
<b>B</b>	mm		660	660	710	710
<b>C</b>	mm		800	800	800	800
<b>D</b>	mm		640	640	560	560
<b>E</b>	mm		445	445	490	490
<b>F</b>	mm		275	275	380	380
<b>G</b>	mm		950	950	970	970
<b>H</b>	mm		500	500	500	500



## Diesel Pile Hammer D100-13 - D160-32

外形尺寸	Dimensions		D80-13	D100-13	D125-32	D138-32
上活塞重量	Impact weight (piston)	kg	8000	10000	12500	13800
每次打击能量	Energy per blow	kNm	288-171	360-214	418-267	461-295
打击次数	Number of blows	min <sup>-1</sup>	35-45	35-45	36-45	36-45
适宜打桩最大规格 (取决于土质和桩的情况)	Suitable for driving piles (depending on soil and pile)	t	6-60	7-100	10-120	12-140
<b>油耗</b>						
柴油	Diesel oil	l/h	25	30	35	38
润滑油	Lubricant	l/h	3	3	3	3
<b>油箱容量</b>						
柴油箱容积	Diesel oil tank	l	155	155	205	205
润滑油箱容积	Lube tank	l	32	32	38	38
起落架导向滑轮钢 绳最大直径 (*绕2圈)	Max. rope diameter for deflector sheave of tripping device (* reeved twice)	mm	30*	30*	30*	30*
<b>重量</b>						
起落架重约	Tripping device	kg	750	750	750	750
柴油锤重约	Diesel pile hammer	kg	16905	20720	24300	25600
斜桩的打桩范围 标准	Max. inclined pile driving without extension		1:5	1:5	-	-
接长缸	with extension		1:2	1:2	1:2	1:2

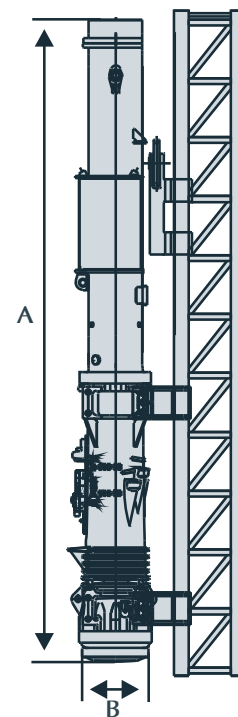
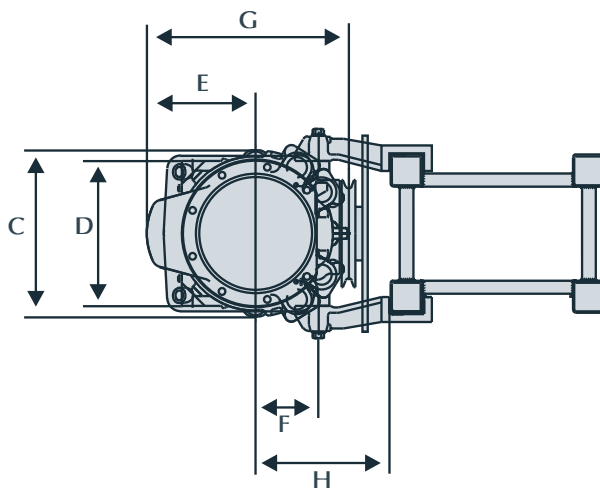
外形尺寸	Dimensions		D80-13	D100-13	D125-32	D138-32
A		mm	7200	7360	7785	7885
B		mm	820	820	910	910
C		mm	890	890	1030	1030
D		mm	800	800	850	850
E		mm	550	550	610	610
F		mm	350	350	370	370
G		mm	1110	1110	1200	1200
H		mm	660	660	765	765





技术参数	Technical Data		D160-32	D180-32	D260-32	D320-32
上活塞重量	Impact weight (piston)	kg	16000	18000	26000	32000
每次打击能量	Energy per blow	kNm	535-327	602-368	865-556	1065-684
打击次数	Number of blows	min <sup>-1</sup>	36-46	36-46	36-45	36-45
适宜打桩最大规格 (取决于土质和桩的情况)	Suitable for driving piles (depending on soil and pile)	t	16-160	18-190	26-280	32-340
<b>油耗</b>						
	<b>Consumption</b>					
柴油	Diesel oil	l/h	45	51	72	91
润滑油	Lubricant	l/h	3	3	4	4
<b>油箱容量</b>						
	<b>Tank capacity</b>					
柴油箱容积	Diesel oil tank	l	300	300	550	550
润滑油箱容积	Lube tank	l	42	42	80	80
起落架导向滑轮钢 绳最大直径 (*绕2圈)	Max. rope diameter for deflector sheave of tripping device (* reeved twice)	mm	38*	38*	40*	40*
<b>重量</b>						
	<b>Weight</b>					
起落架重约	Tripping device	kg	1420	1420	2450	2450
柴油锤重约	Diesel pile hammer	kg	31200	33800	53500	62000
斜桩的打桩范围 标准	Max. inclined pile driving without extension		-	-	1:5	1:5
接长缸	with extension		1:2	1:3	-	-

技术参数	Technical Data		D160-32	D180-32	D260-32	D320-32
<b>A</b>		mm	7855	7975	7890	8010
<b>B</b>		mm	1045	1045	1300	1320
<b>C</b>		mm	1160	1160	1400	1445
<b>D</b>		mm	900	900	1275	1275
<b>E</b>		mm	710	710	875	900
<b>F</b>		mm	540	540	545	545
<b>G</b>		mm	1420	1420	1690	1945
<b>H</b>		mm	950	950	1300	1400



08/2022

© DELMAG GmbH & Co. KG, Niedernberg. All rights reserved! 版权所有!

如需更多信息，请联系你的DELMAG销售代理或登录我们的网站  
[www.delmag.de](http://www.delmag.de), [www.delmag.cn](http://www.delmag.cn)  
鉴于设计在不断变更，本样本上的数据仅作为近似值，也包含了  
标准配件以外的选择件。

For further information please contact your DELMAG sales  
assistant. Or visit us on the Internet at [www.delmag.de](http://www.delmag.de).  
Design subject to modifications. The details in this leaflet  
have to be regarded as approximate. The illustrations also  
can contain options which are not part of the standard scope  
of supply.



DELMAG GmbH & Co. KG  
Boschstraße 8  
63843 Niedernberg  
Germany

Tel. / 电话: +49 6028 123 400  
Fax / 传真: +49 6028 123 409  
eMail / 电邮: [info@delmag.de](mailto:info@delmag.de)  
Web / 网址: [www.delmag.de](http://www.delmag.de)

DELMAG (SHANGHAI) HEAVY MACHINERY CO., LTD.  
No. 338, Fulian 3 Road  
Shanghai Industrial Park of Robotics  
Bao Shan District  
Shanghai 201906  
P.R. China

telephone: 021-33719192  
fax: 021-33719662  
email: [info@delmag.cn](mailto:info@delmag.cn)  
web: [www.delmag.cn](http://www.delmag.cn)

上海德尔玛克重型机械有限公司  
中国 上海 宝山 电话: 021-33719192  
上海机器人产业园 传真: 021-33719662  
富联三路338号  
邮编: 201906